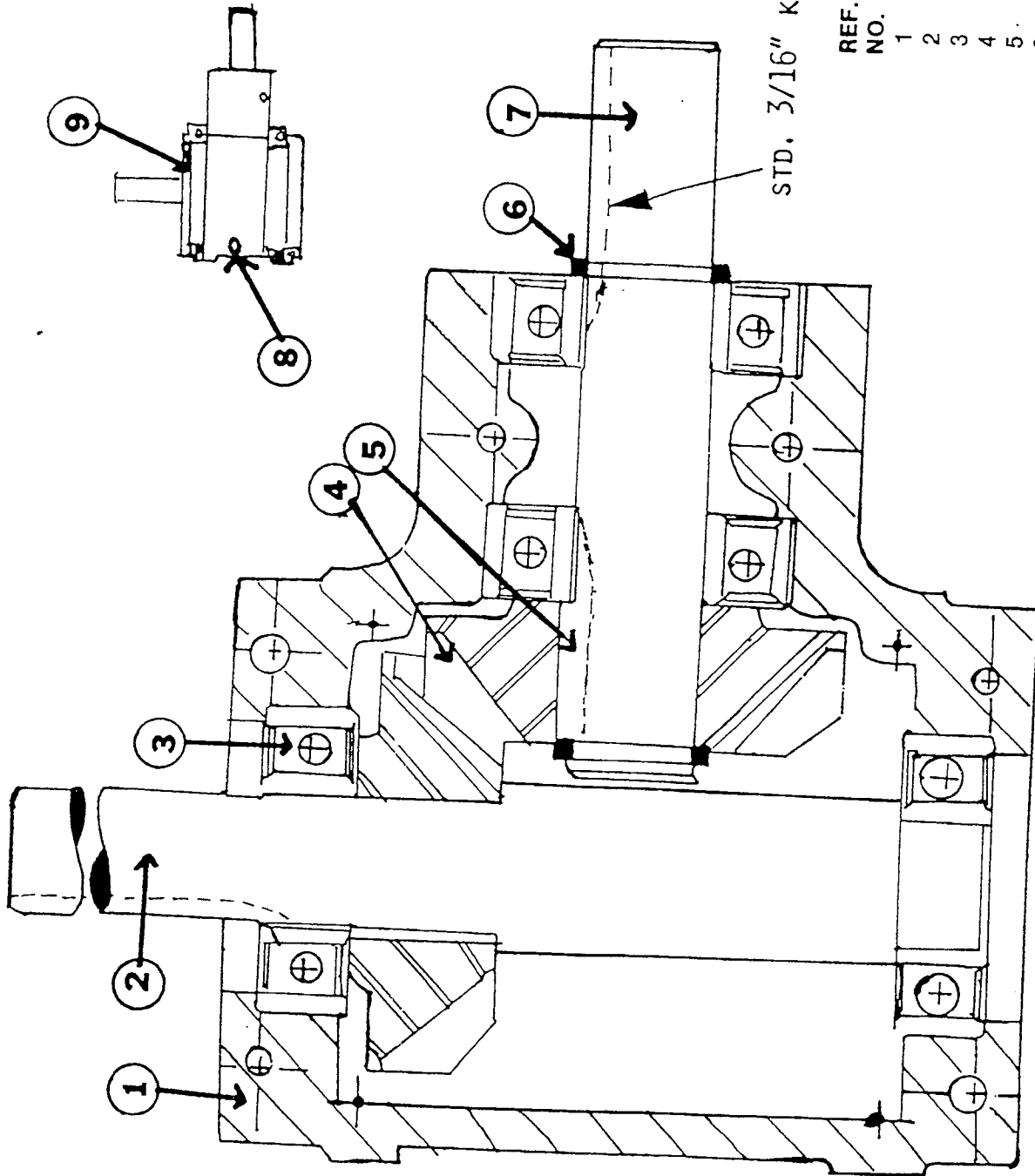


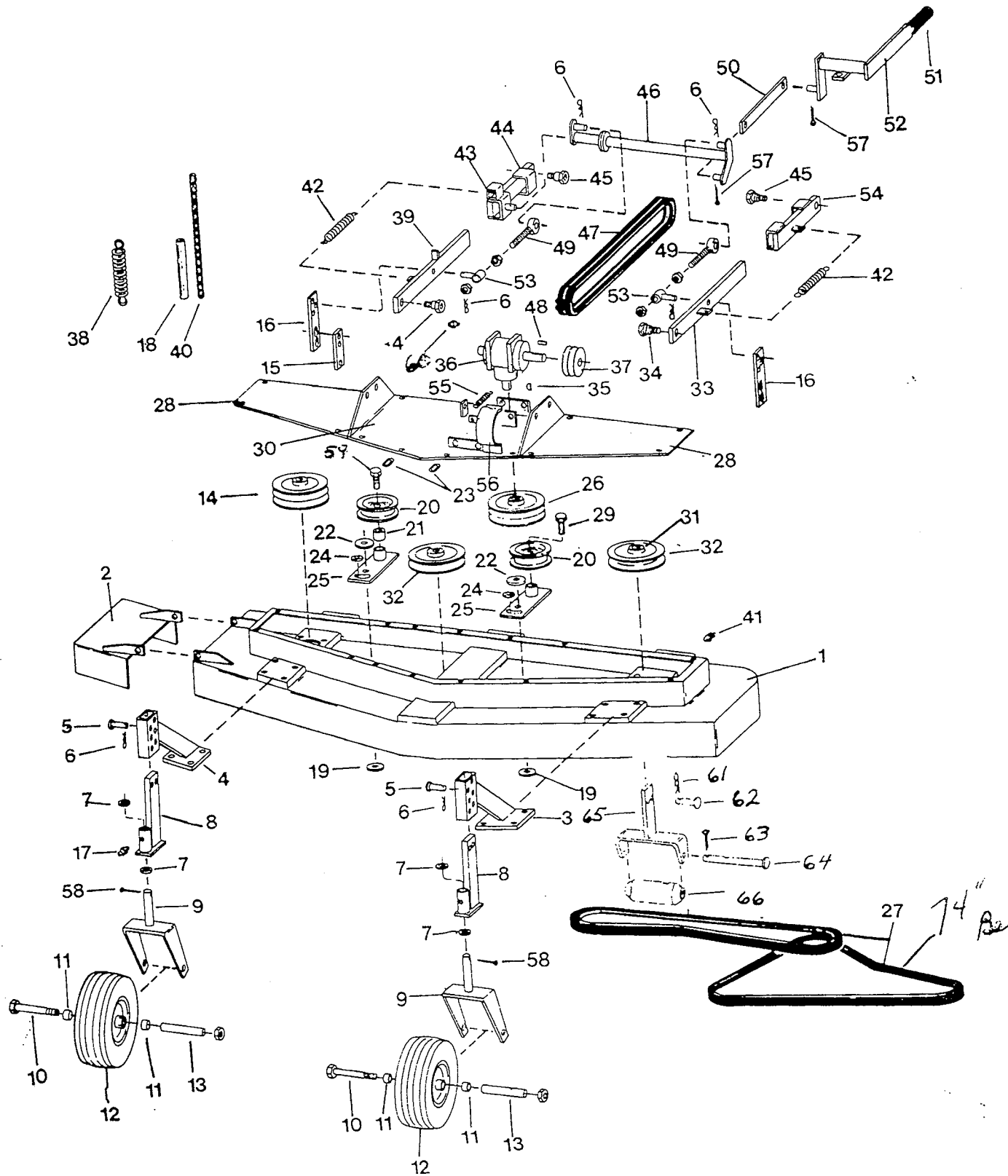
CURTIS GEAR BOX (CYLINDER SHAPED)



REF. NO.	PART NO.	NO. REQ.	DESCRIPTION
1	400-336	1	Housing Half
2	300-640	1	Long Shaft
3	400-335	4	Bearing
4	400-338	2	Gear
5	400-339	2	Key
6	400-340	2	Retaining Ring
7	400-333	1	Short Shaft
8	400-334	1	Relief Valve
9	400-337	1	Housing Half
*	400-342	2	Plug
*	400-343	2	Lock Washer
*	400-344	2	Allen Bolt

*NOT SHOWN

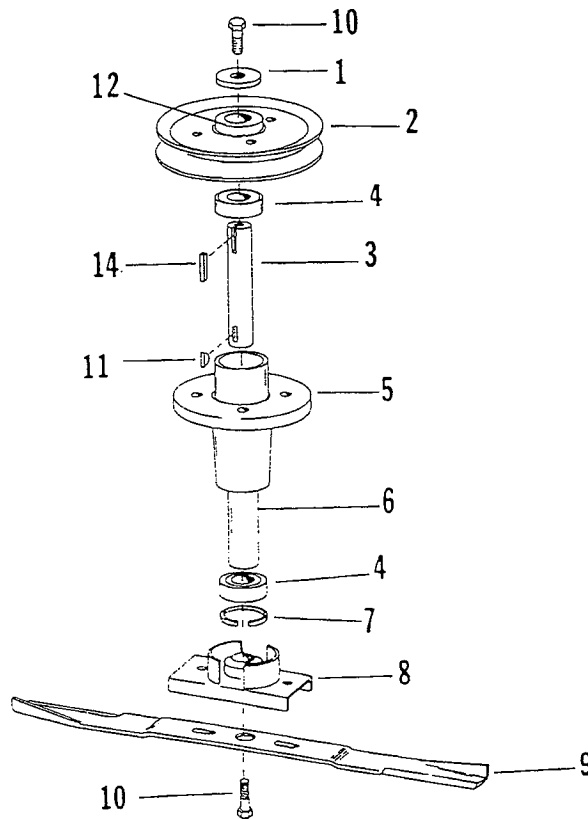
72 TD DECK



72" MOWER DECK PARTS LIST

REF. NO.	PART NO.	NO. REQ.	DESCRIPTION	REF. NO.	PART NO.	NO. REQ.	DESCRIPTION
1	400-930	1	72" Bare Deck	37	400-178	1	Pulley w/Hub
2	100-273	1	Grasschute	38	100-123	4	Spring
3	300-332	1	L.H. Gauge Wheel Arm	39	400-944	1	R.H. Front Pusharm
4	300-331	1	R.H. Gauge Wheel Arm	40	400-937	1	Deck Lift Chain
5	300-203	2	Gauge Pin	41	300-455	16	Fender Nut
6	300-202	6	Gauge Pin Clip	42	300-136	2	Spring
7	300-195	4	Washer	43	400-278	1	Switch
8	300-197	2	Gauge Wheel Stem	44	400-318	1	R.H. Rear Pusharm
9	300-250	2	Gauge Wheel Fork	45	300-327	2	Bushing Bolt
10	300-264	2	Gauge Wheel Axle	46	300-360	1	Rockshaft
11	400-234	4	Bearing	47	400-288	2	Drive Belts
12	300-247	2	Gauge Wheel & Tire	48	300-289	1	Keystock
13	300-117	2	Gauge Wheel Spacer	49	100-294	2	Turnbuckle
14	400-922	1	Spindle Pulley	50	300-351	1	Clutch Linkage
15			Not Used	51	100-114	1	Handle Grip
16	400-947	2	Carrier Strap	52	300-352	1	Clutch Lever
17	300-212	2	Zerk	53	400-939	2	Trunion
18	400-914	1	Sleeve	54	400-319	1	L.H. Rear Pusharm
19	300-262	2	Washer	55	400-153	1	Spring
20	300-233	2	Idler Pulley	56	400-936	1	Belt Guard
21	400-928	1	Spacer	57	300-279	2	Cotter Key
22	100-188	2	Washer	58	300-194	2	Cotter Key
23	300-636	4	Spring Mounting Link	59	300-539	1	Bolt
24	300-173	2	Washer	60	300-212B	2	Rear Pusharm Bolt Zerks
25	400-950	2	Idler Arm		300-212B	1	L.H. Front Pusharm Bolt Zerk
26	400-921	1	Gearbox Pulley		300-212	1	R.H. Front Pusharm Bolt Zerk
27	400-923	2	Deck Belts				
28	400-935	2	Right & Left Deck Shield	61	300-202	2	Clip
29	300-520	1	Bolt	62	300-203	2	Pin Clip
30	400-931	1	Gearbox Plate	63	300-279	2	Cotter Key
31	400-263	3	Spindle Hub	64	300-201	2	Rear Roller Pin
32	400-264	2	Spindle Pulley	65	300-243	2	Bracket
33	300-629	1	L.H. Front Pusharm	66	100-132	2	Roller
34	300-326	2	Bushing Bolt				
35	300-289	1	Keystock				
36	300-638	1	Gearbox				

SPINDLE ASSEMBLY FOR 72" MOWER



REF. NO.	PART NO.	NO. REQ.	DESCRIPTION
1	300-173	3	Spindle Pulley Washer
2	400-264	2	7" Rim Spindle Pulley
	400-922	1	Right Hand Spindle Pulley
3	400-261	3	Spindle Shaft
4	300-238	6	Spindle Bearing (use on housing WITHOUT zerk)
	400-363	6	Spindle Bearing (use on housing WITH zerk)
5	400-258	3	Spindle Housing (housing WITHOUT zerk)
	400-362	3	Spindle Housing (housing WITH zerk)
6	300-253	3	Spindle Spacer (use on housing WITHOUT zerk)
	400-366	3	Spindle Spacer (use on housing WITH zerk)
7	400-257	3	Spindle Housing Snap Ring
8	400-260	3	Blade Saddle
9	400-184	3	Blade
10	300-466	6	3/8 X 1 NF Bolt
11	400-324	6	Spindle 1/4 X 3/4 Woodruff Key
12	400-263	3	Spindle Hub
13	300-407	9	Screw for Spindle Pulley
14	300-284	3	Spindle Keystock
Not Shown	300-212A	3	Zerk